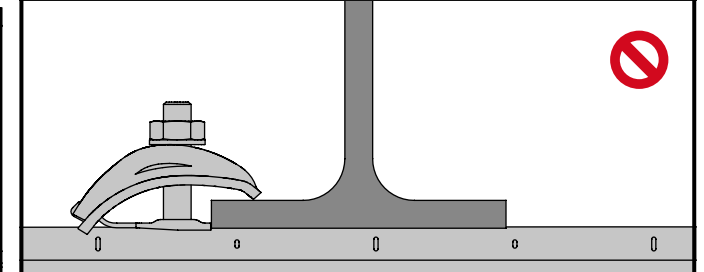
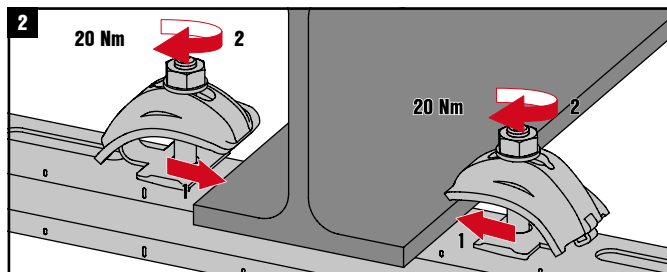
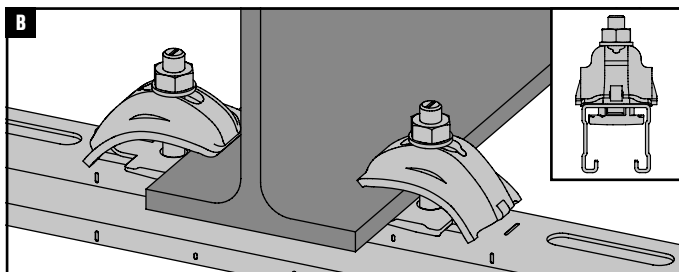
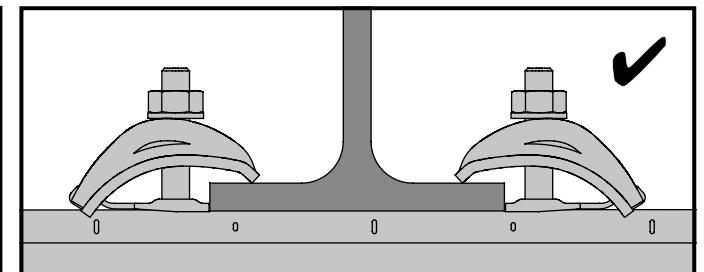
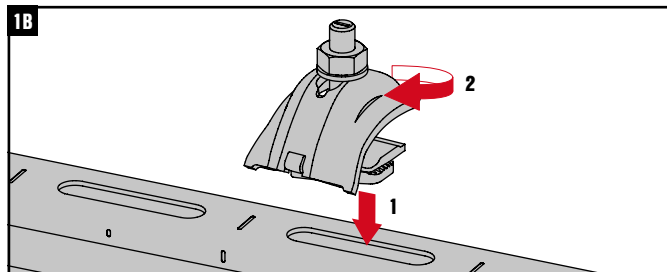
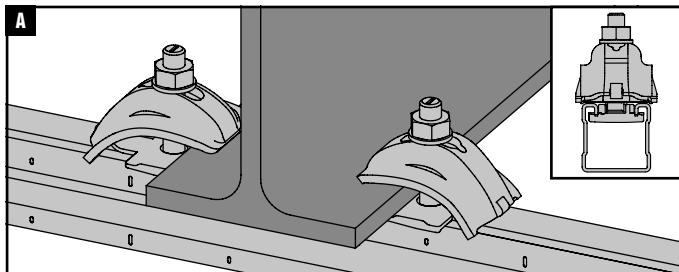
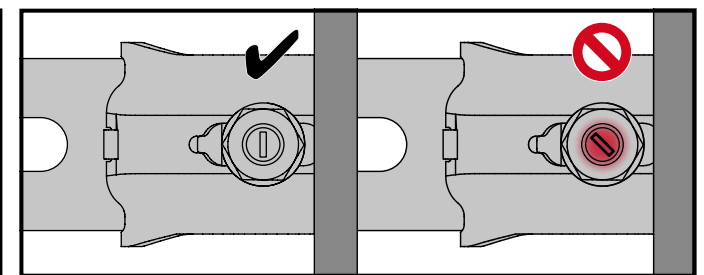
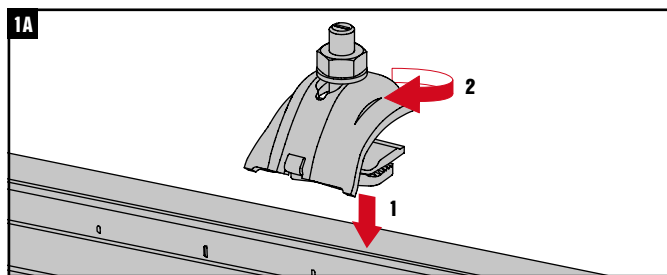
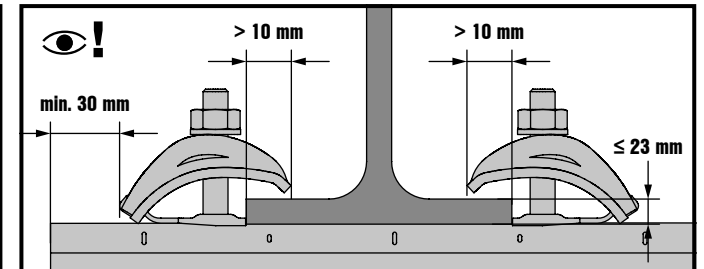
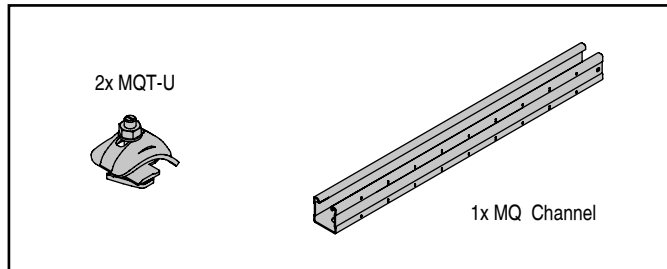


VdS Montageanleitung
VdS Installation instruction



Application	Connection of Channels
	Channel I / Channel II / Channel III ✓
	Channel I / Channel II ✓ Channel III ✗
Channel I Channel II Channel III	MQ-21, MQ-41, MQ-21D, MQ-41D MQ-41/3, MQ-52, MQ-72, MQ-52-72D, MQ-124XD MQ-41-L, MQ-21.5, MQ-41D-L

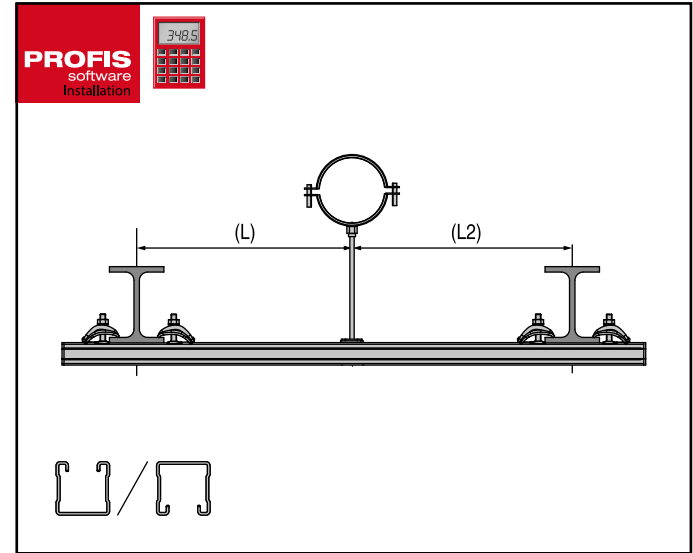
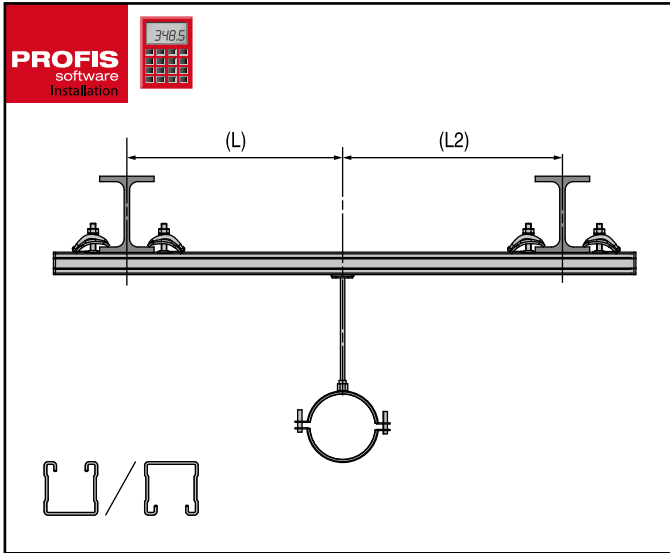


Einsatzbedingungen für Sprinklerleitungen gemäss VdS
Operating conditions for sprinkler according to VdS



G 418032

Rohr-Ø DN Pipe size DN	Gewindestange Threaded rod	Nennlast Rated load
≤ DN 50	M8	2000 N
> DN 50 ≤ DN 100	M10	3500 N
> DN 100 ≤ DN 150	M12	5000 N
> DN 150 ≤ DN 200	M16	8500 N



Montagebeispiel
Assembly Example

